



GREG STEELE TRADING PTY.LTD.

FAX: 02 9542 4662

# F270 - Cutting Confirmation Sheet

Thank you for your order. To minimise the risk of error when manufacturing, please confirm the dimensions on our cutting sheet match your requirements

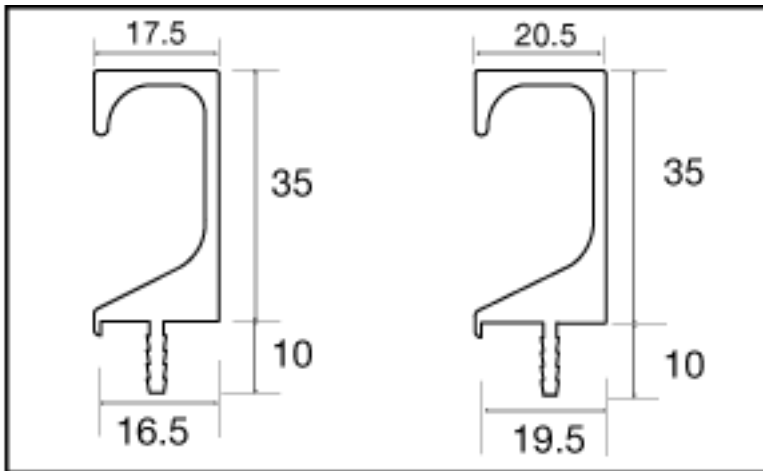
Customer:.....

Attn:.....

Re Your Order:.....

Date: ...../...../.....

Door Thickness:: (please tick one)	<input type="checkbox"/> 16mm	<input type="checkbox"/> 18mm
---------------------------------------	-------------------------------	-------------------------------



Quantity	Length

Please Note: Custom made goods are non-refundable

Please confirm / complete the above size dimensions and quantities. Date and Sign below then fax back to us on the above fax number and your order will be placed into our production schedule.

Signed:.....

Date: ...../...../.....

Greg Steele Trading PTY.LTD Kethy Australia. Unit 15/ 29-33 Waratah St, Kirrawee, NSW, 2232, Australia  
Phone: (02) 9542 4991 Fax: (02) 9542 4662